

1 2 3 4 5 6 7 8

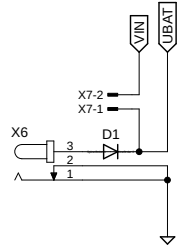
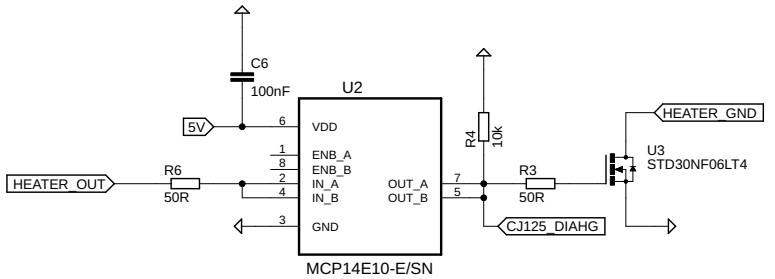
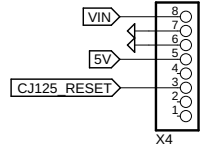
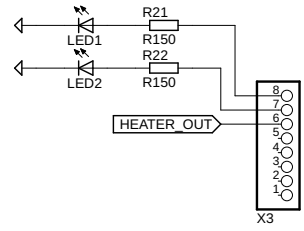
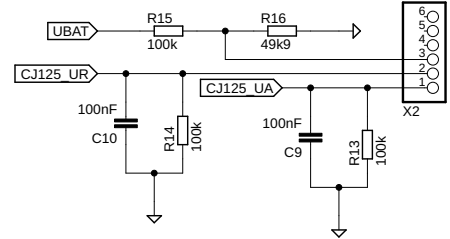
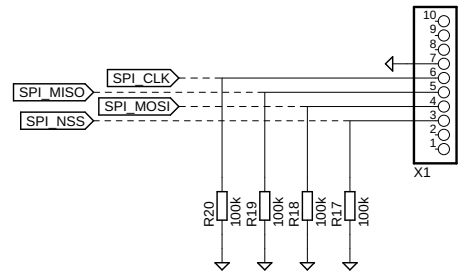
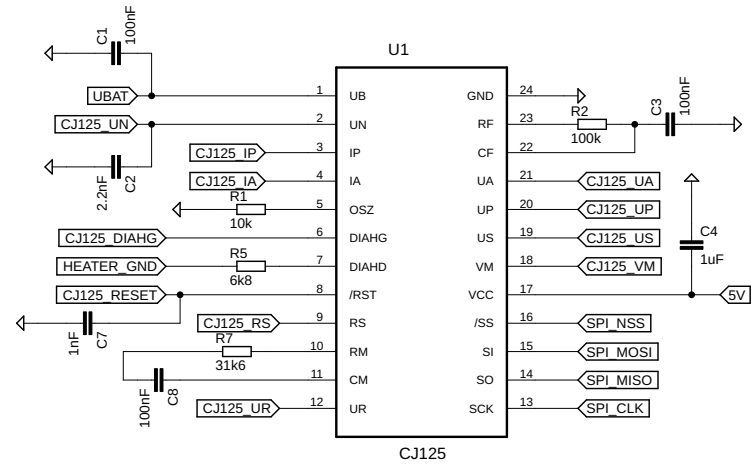
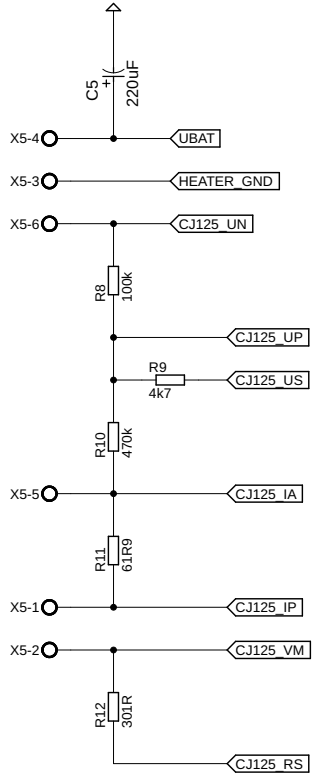
A

B

C

D

E



Copyright (C) 2017 - 2020 Bylund Automotive AB
 This hardware is distributed in the hope that it will be useful, but WITHOUT ANY WARRANTY; without even the implied warranty of MERCHANTABILITY or FITNESS FOR A PARTICULAR PURPOSE. See the GNU General Public License for more details.



| | |
|---------------|--------|
| LAMBDA SHIELD | |
| 6 000 000 010 | |
| 2020-06-05 | |
| Sheet: 1/1 | Rev. E |

1 2 3 4 5 6 7 8